

Before you begin...

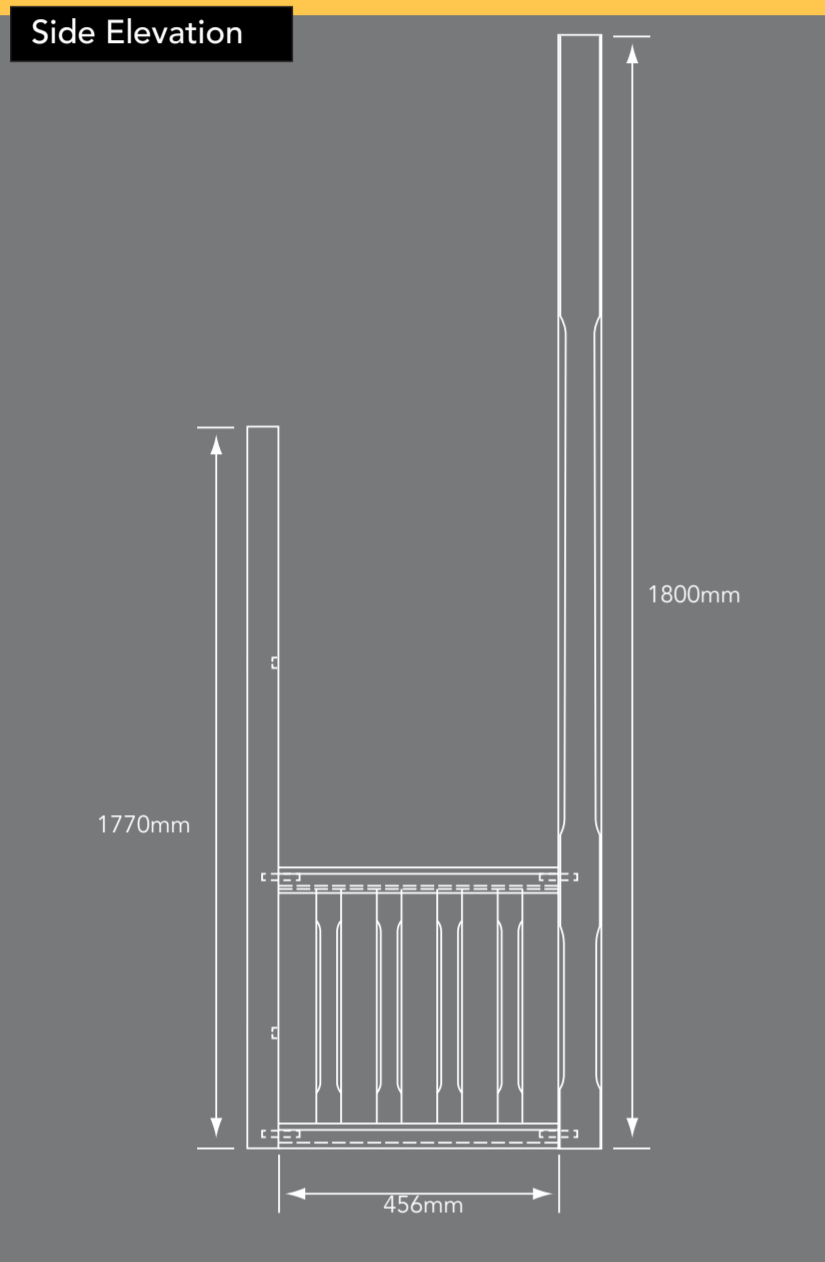
- Check all components are present by comparing pack contents to printed contents list.
- Pre-treat each Porch Accessories component using proprietary exterior grade preservative and end seal following the manufacturer's recommendations.
- We recommend that all components are finished e.g. painted, stained or varnished following the manufacturer's recommendations before fixing to wall.

NOTE

Dwarf Wall Accessory Kits are designed for use with Richard Burbidge Porch Canopies.

IMPORTANT

Before any cuts are made to components it is important to take into account Porch Canopy height and ground features such as steps or slope which will influence the post length and handrail height requirement.



Pack contents...

	1800x70x70mm	x2
	1770x68x55mm	x2
	528x62x55mm	x2
	528x62x55mm	x2
	418x40x40mm	x8
	40x40x9mm	x4
	75x20x20mm	x2
	60x77mm	x2
	ø4x30mm	x8
	ø4x40mm	x6
	ø4x80mm	x8
	38mm	x8

Wall fixings not included. Please seek advice to determine the correct fixing for your wall.

Tools required...

1. Drill
2. Mallet
3. Screwdriver
4. Hammer
5. Spirit level
6. Tape measure



We're here when you need us:
Customer Services:
+44 (0)1691 678300
Technical Helpline:
+44 (0)1691 678212
www.richardburbidge.com

Richard Burbidge

Porch Accessories

Stop Chamfered Dwarf Wall Accessories Kit for Timber Porch Canopies

Components are supplied pre-drilled.



LC103

Note: Roofing, fascias, finishing components, wall fixings and exterior glue are not included. Finial sold separately.

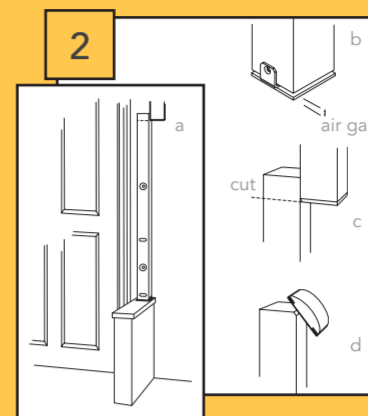


15kg

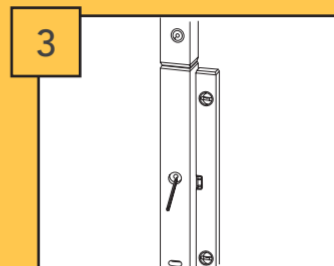
© Richard Burbidge Ltd. 2013

Assembly instructions...

- 1 Establish the height of the Dwarf Wall and length of front post by measuring down from the underside of the installed Porch Canopy Gallows Brackets to a minimum 1480mm and maximum 1800mm. The preferred minimum handrail height is 900mm above ground level. Adjust the front post and dwarf Wall height to suit.

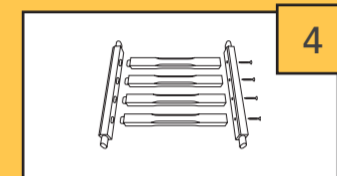


Offer up the back post to the wall (Fig 2a) temporarily placing the bottom bracket under the post to represent an air gap (Fig 2b). Mark where the top of the post meets the Porch Canopy and cut (Fig 2c). Sand the sawn end of the back post to create a chamfer to each edge (Fig 2d). Treat the sawn cut with end seal.

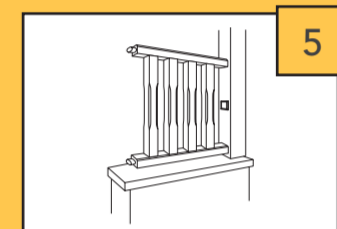


Offer the cut back post to the wall and mark through the pre-drilled holes of the post to establish the wall fixing position (Fig 3). Drill wall to accommodate 12mm Steel Bolts (not supplied) and fix post to wall. Glue the timber cover caps supplied to hide fixings using exterior grade wood glue.

Assemble the spindles and rails unit by gluing the spindles into the top rail using exterior grade wood glue and screwing through the bottom rail into the ends of the spindles using the 80mm screws supplied (Fig 4).

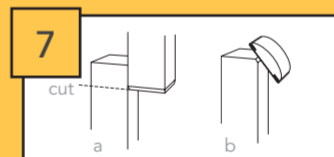
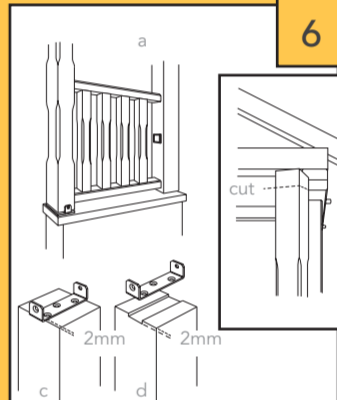


Temporarily locate the spindles and rails unit on top of wall and into the back post (Fig 5).

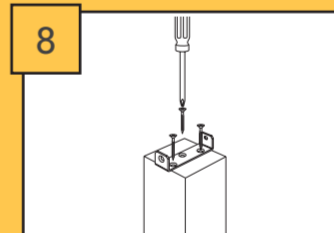


With the bottom bracket temporarily in place, offer and locate the front post to the spindle and rail unit (Fig 6a). Mark the position of the Porch Canopy to the top of the front post (Fig 6b) allowing for either;

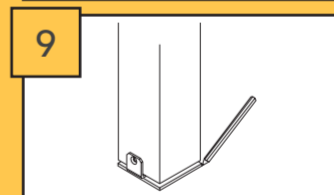
- 2mm less for the top fixing bracket to be located (Fig 6c), or;
- Opt to recess the top fixing bracket into the top of the front post to allow for a flush fit (Fig 6d).



Remove front post, cut to required length (Fig 7a) and sand to create a chamfer to each edge (Fig 7b). Treat the sawn end with end seal.

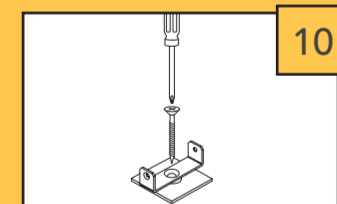


Fix the top bracket to the top part of the front post (Fig 8) to whichever option you have chosen (as previous option 6c or 6d).

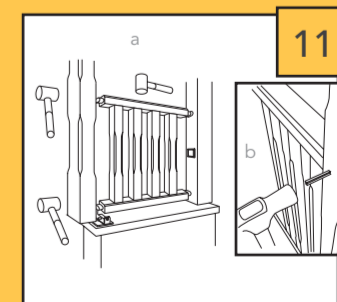


Offer up and locate the front post to the spindle and rail unit. Mark the position of the bracket on the front post to the top of the wall checking that the front post is vertical (Fig 9).

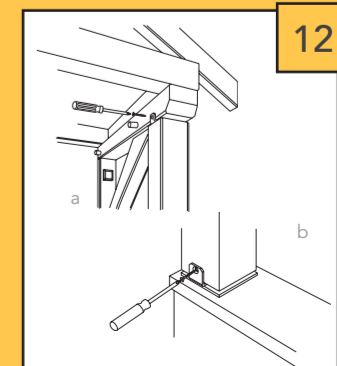
Remove both the front post and spindle and rail unit, and fix the bottom bracket to the top of the wall using a suitable fixing (not supplied) (Fig 10).



Using exterior grade wood glue fix all tenons of the spindle and rail unit into front and back posts and assemble using a rubber mallet (Fig 11a). The tenons are secured to the posts using the Metal Star Dowels supplied (Fig 11b), pilot drill the post for ease of fix.



To finish, fix the top (Fig 12a) and bottom (Fig 12b) brackets of the front post.



Maintenance - We recommend you retreat your Porch Canopy and Accessories Kits annually by cleaning and repainting, staining or varnishing following manufacturer's recommendations.