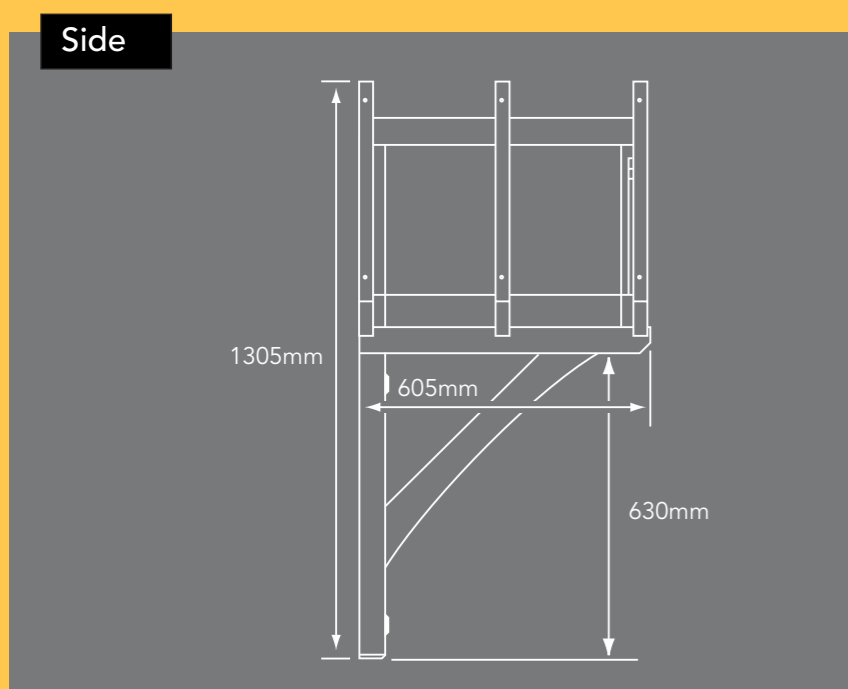
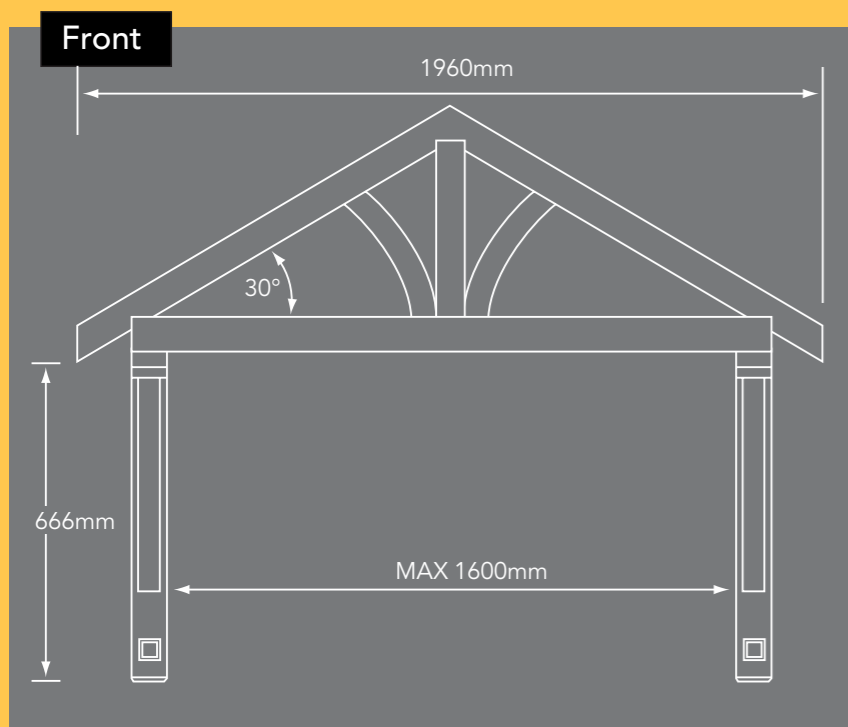


Before you begin...

- Check all components are present by comparing pack contents to printed contents list.
- Pre-treat each Porch Canopy component using proprietary exterior grade preservative and end seal following the manufacturer's recommendations.
- We recommend that all components are finished e.g. painted, stained or varnished following the manufacturer's recommendations before fixing to wall.
- When using Porch Canopy combined with Richard Burbidge Porch Accessory Kits, please allow for the preferred height of the accessories during setting out. The maximum height of accessory kits is 2400mm.



Pack contents...

	673x68x55mm	x2
	650x90x45mm	x2
	605x68x55mm	x2
	581x68x55mm	x2
	1736x68x55mm	x2
	521x55x55mm	x2
	550x55x55mm	x1
	438x95x40mm	x1
	438x95x40mm	x1
	1168x64x30mm	x6
	ø15x105mm	x6
	ø6x30mm	x2
	40x40x9mm	x4
	ø1.8x25mm	x2
	ø4.5x45mm	x6
	ø5x100mm	x18

Wall fixings not included. Please seek advice to determine the correct fixing for your wall.

Tools required...

1. Drill
2. Mallet
3. Screwdriver
4. Hammer
5. Spirit level
6. Tape measure



We're here when you need us:
Customer Services:
+44 (0)1691 678300
Technical Helpline:
+44 (0)1691 678212
www.richardburbidge.com



Richard Burbidge

Porch Canopy

1600mm Apex

Components are supplied pre-drilled.



22kg

LC002

Canopy tested to hold a weight loading of 50kg/m².
Note: Roofing, fascias, finishing components, wall fixings and exterior glue are not included. Finial sold separately.

© Richard Burbidge Ltd. 2013

Richard Burbidge Porch Canopies have been structurally tested to hold a maximum weight loading of 50kg/m². Structural calculations are based on fixing to masonry surfaces such as brick, block and stone. If fixing to other surfaces such as timber, we recommend you seek professional guidance/advice via a structural engineer.

Assembly instructions...

- Measure and mark the Gallows Brackets positions on the wall to a maximum span of 1600mm (Fig 1). Note: Porch Canopies allow for adjustability of upright positions to less than 1600mm to take into account for unique features around the door.
- Measure and mark the back plate to the preferred location above the door (Fig 2).
- Assemble the Gallows Brackets using exterior grade wood glue (Fig 3a). Knock the 15mm diameter dowels supplied into the pre-machined draw-bored tenons (Fig 3b).
-
- Offer and fix the assembled Gallows Brackets to the pre-marked wall positions and fix using 2 x 12mm Steel Bolts (not supplied). Glue the timber cover caps supplied to hide fixings (Fig 4).
- Assemble the 4 parts of the Porch Canopy frame together by gluing the tenons and using the 45mm screws supplied (Fig 5a). Centrally locate the assembly on top of the Gallows Brackets checking that the frame is square (Fig 5b).
-
- Pilot drill through the top of the frame and into the Gallows Brackets and fix using the 100mm screws supplied (Fig 6).
- Glue the tenons of the front and back King Posts. Use the 45mm screws supplied to secure, countersink and fill (Fig 7).
- Screw the top beam to the front and back King Post using the 100mm screws supplied (Fig 8).
- Position the rafters and secure to the top beam and frame using the 100mm screws supplied (Fig 9).
- Glue the 30mm timber dowels into the bottom of the Rams Horns and fix into the front purlin, unscrew the front rafters if necessary for ease of fit (Fig 10).
- Using the 25mm supplied screw through the half lap of the Rams Horns into the front rafters (Fig 11).

Maintenance - We recommend you retreat your Porch Canopy and Accessories Kits annually by cleaning and repainting, staining or varnishing following manufacturer's recommendations.