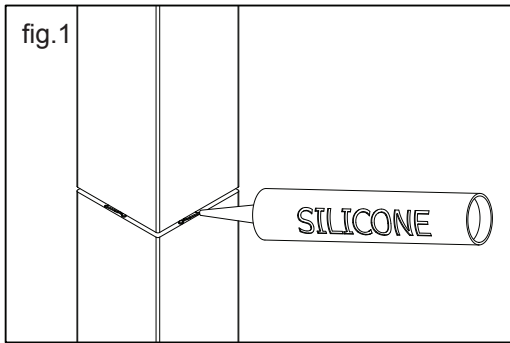
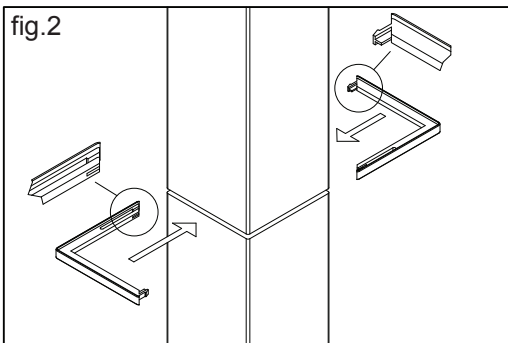


Immix 1 Piece newel should be installed using the newel base height dimensions specified in Immix system Fitting Instructions. Bottom edge of groove in Immix 1 piece newel should be used as a reference for top of newel base

Once the balustrade has been installed, place a small amount of clear silicone along the middle of each groove (fig.1)



Align 2 piece bracket to the newel groove and push together until the male and female parts of the bracket snap together (fig.2)



Make sure bracket corners are perfectly aligned before the silicone sets (fig.3)

