



Precision + Style

Collection **DECORATIVE**

PROJECT 1

HOW TO RENOVATE PLAIN DOORS

A step-by-step guide to transforming your plain doors into a classic statement piece, using Richard Burbidge mouldings and basic woodworking tools and techniques.



TIME REQUIRED

Approximately
3 hours



TOOLS REQUIRED

- Richard Burbidge Mouldings
- Wood Glue
- Hammer
- Finishing Nails
- Filler / Decorators Caulk
- Paint
- Mitre Saw or Hand Saw & Mitre Box
- Pencil
- Tape Measure or Ruler
- Spirit Level
- Hammer
- Sandpaper
- Paint
- Primer*
- Paint Brush



SAFETY

As a precautionary measure use a pipe and cable detector before nailing or drilling. For extra protection wear protective gloves and glasses.

*May be needed if your paint requires primer.

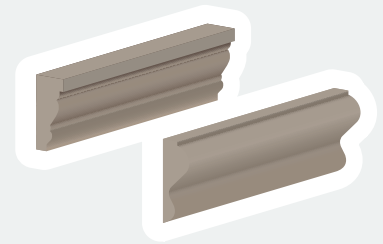
For further information or to find your nearest stockist visit:
www.richardburbidge.com

For technical support call:
01691 678 212

PROJECT 1 HOW TO RENOVATE PLAIN DOORS

STEP 1. Choose your Richard Burbidge moulding

Firstly you'll need to decide the style you're going for - we recommend our decorative panel mouldings for this project. Richard Burbidge mouldings are of the highest quality and can totally transform the look and character of a whole room. For a Victorian style select our DEC6027 moulding, or for a contemporary look we recommend the DEC6025 moulding.

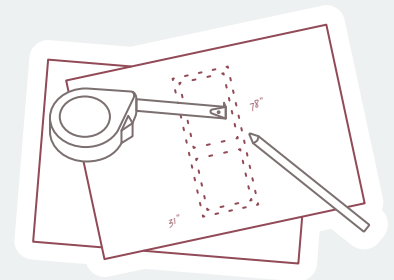


Victorian
DEC6027

Contemporary
DEC6025

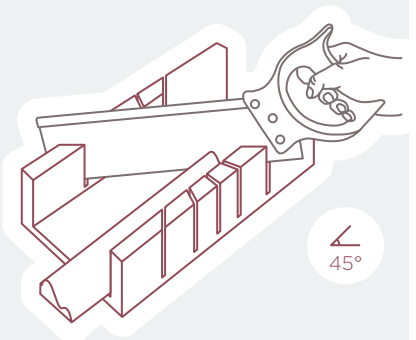
STEP 2. Determine the dimensions and placement of your chosen mouldings

On a piece of paper, draw out your door with dimensions, and then map out where to place the mouldings. Make sure to include accurate measurements to ensure the mouldings fit together allowing for a symmetrical design. Then, map out your design onto the door with a pencil and tape measure. Use a spirit level to ensure the design is aligned and straight.



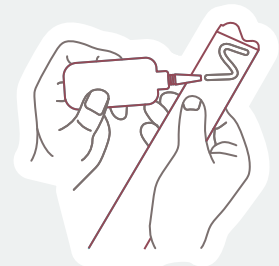
STEP 3. Cut the moulding to length

Cut each piece to the required length, the moulding needs to be mitred (trimmed on a 45 degree angle). To do this you can use a mitre box and hand saw, or a power mitre saw. Make sure to stick to the measurements you have calculated from step 2. If you're not confident with the saw, leave an additional few mm as a cautionary measure, you can always make another small cut if required. To finish, very lightly sand the ends of your Richard Burbidge mouldings with sandpaper.



STEP 4. Apply moulding to door

Apply a sparing amount of your favourite wood glue to the moulding, then line up to the marks you have drawn onto the door, ensuring the positioning is accurate. Once the glue has dried, hammer in finishing nails, start from the centre and work your way to each end. Repeat this process to apply all of the mouldings.



STEP 5. Add the finishing touches

Once all of the mouldings are applied and your design is complete, use decorators caulk / filler to patch any gaps, cracks or holes prior to painting. Lastly, paint your moulding and door to match. Be sure to read the paint instructions as you may need to prime the surface before painting.

