

Boxed Rail will accommodate a wall mounted handrail for a straight stair/wall run of 3600mm.

(The images shown in these instructions are for illustration purposes only).

Before you start please identify and check all parts (**Fig.1**).

Note – Wall plugs are not supplied; please use wall plugs suitable for your wall construction and to suit the No.8 x 50mm screws supplied to fix the wall brackets to the wall.

The easiest and preferred installation method for fixing the Boxed Rail is to mark the wall using a pencil and straight edge. Measure 765mm vertically up from the stairpitch line (the notional line that connects all the stair nosings) at 4 to 5 points and draw a pencil line through these points (**Fig.2**).

Establish and mark a pencil line that represents the centre/mid-point of the handrail run to the previously marked pencil line. From this centre point, measure 600mm back along this line towards the bottom of the stairs (**Fig.3**).

Position a wall bracket so that it is central to the 600mm mark and so that the 2 higher pre-drilled holes in the wall bracket are central to the pencil line. Mark the 3 pre-drilled hole positions in the bracket to the wall with a pencil and drill, plug (using suitable wall plugs) and fix the wall brackets to the wall using 3 x No.8 x 50mm screws supplied (**Fig.4**).

Position a wall bracket onto a length of handrail, inserting the rail so that it is halfway into the sleeve of the wall bracket. Pilot drill the handrail using a 3mm drill at a depth of 38mm and fix the wall bracket to the rail using 2 x No.8 x 38mm screws supplied (**Fig.5**).

Offer this assembly to the wall bracket previously fixed to the wall and insert the rail halfway into the sleeve of the bracket. Position the bracket on the other end of the rail so that the 2 higher pre-drilled holes in the wall bracket are central to the pencil line. Mark the 3 predrilled hole positions in the bracket to the wall with a pencil and drill, plug (using suitable wall plugs) and fix the wall brackets to the wall using 3 x No.8 x 50mm screws supplied. Pilot drill the handrail using a 3mm drill at a depth of 38mm and fix the handrail to the other wall bracket using 2 x No.8 x 38mm screws (**Fig.6**).

Fix wall brackets to the ends of the other rails at a distance of 150mm. Pilot drill the handrail using a 3mm drill at a depth of 38mm and fix the wall brackets to the rails using 4 x No.8 x 38mm screws supplied (**Fig.7**).

Insert these assemblies of rails and brackets into the previously fixed wall brackets making sure the ends of the rails butt up to the installed handrail within the sleeve (**Fig.8**).

Position the brackets so that the 2 higher predrilled holes in the wall brackets are central to the pencil line as previously described. Mark the 3 pre-drilled hole positions in the brackets to the wall with a pencil and drill, plug (using suitable wallplugs) and fix the wall brackets to the wall using 3 x No.8 x 50mm screws and the rails to the wall brackets using 2 x No.8 x 38mm screws supplied, pilot drill using a 3mm drill at a depth of 38mm through the bracket holes and fix using 2 x No.8 x 38mm screws (**Fig.8**).

To finish, offer the end caps to either ends of the rails and pilot drill using a 3mm drill bit through the end cap hole and fix using decorative screws (**Fig.9**).

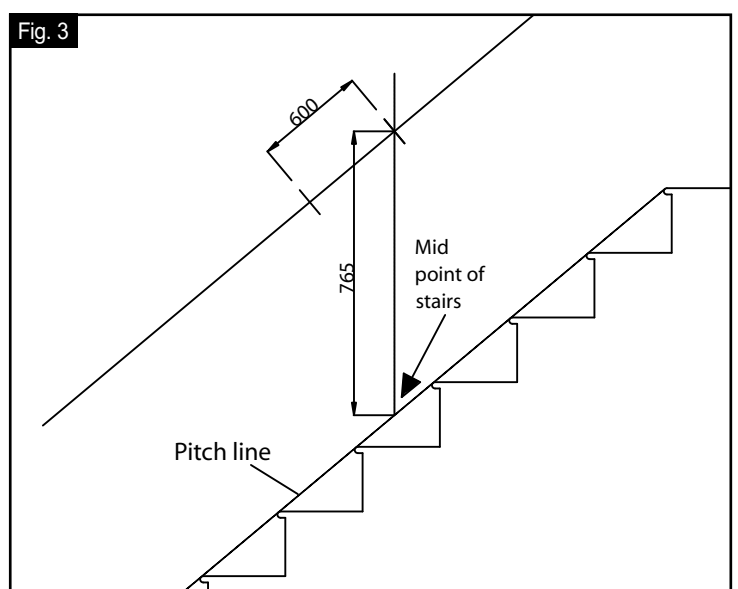
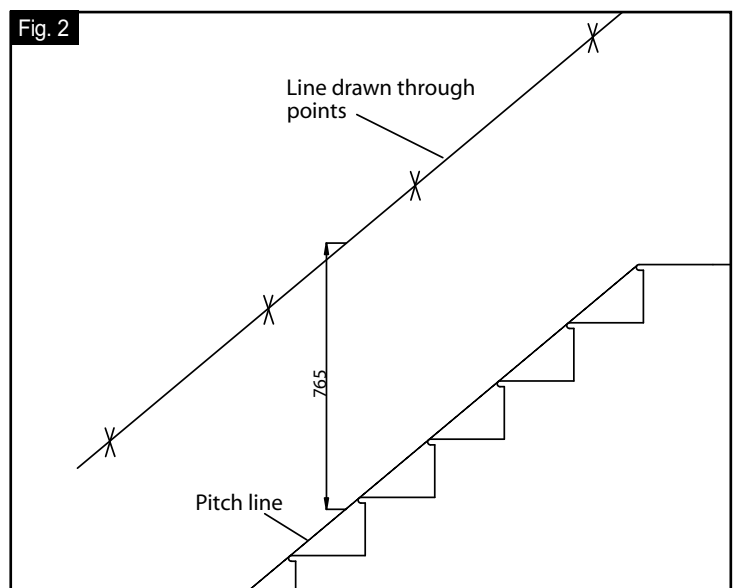
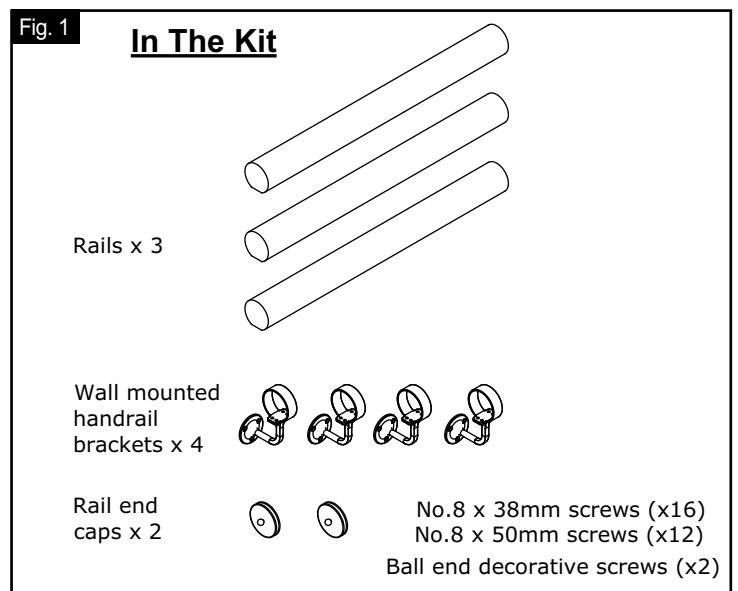


Fig. 4

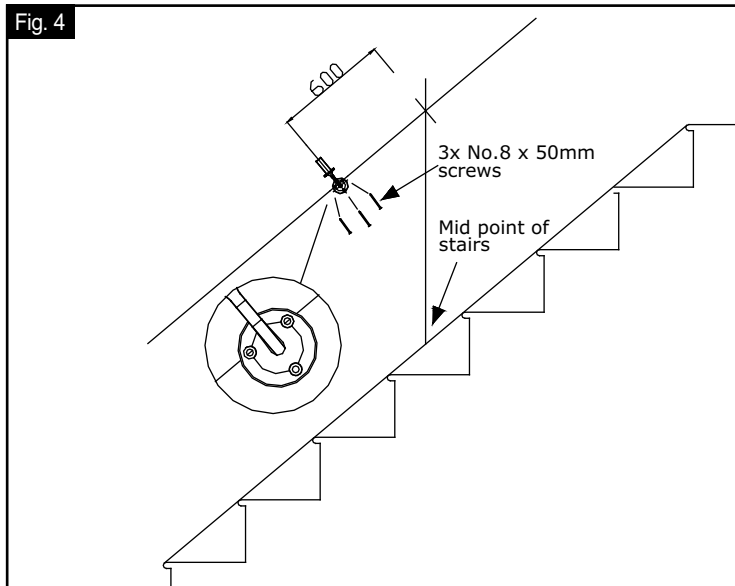


Fig. 5

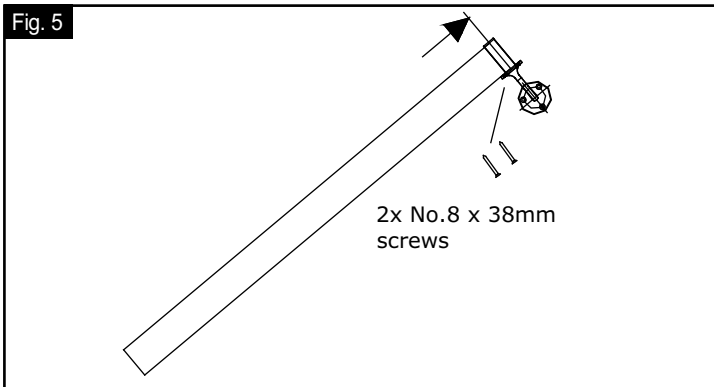


Fig. 6

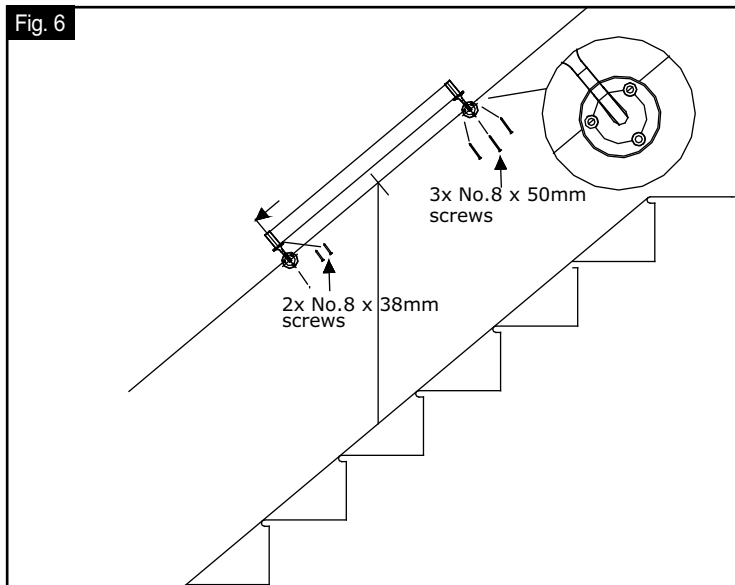


Fig. 7

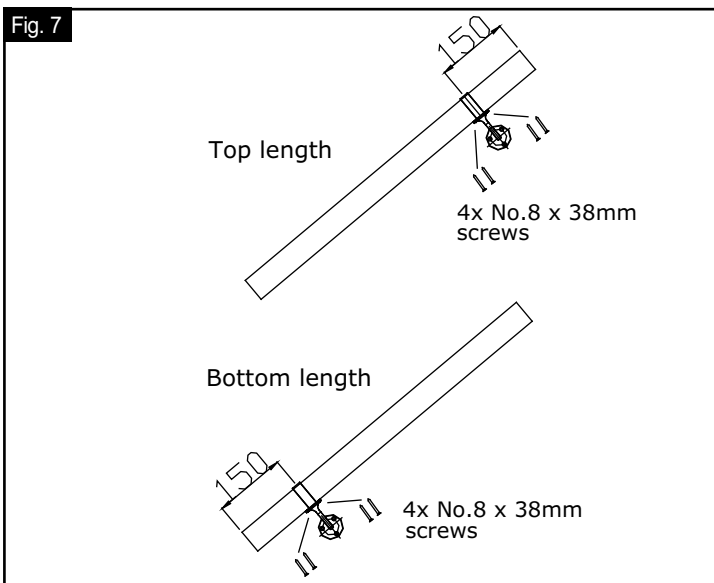


Fig. 8

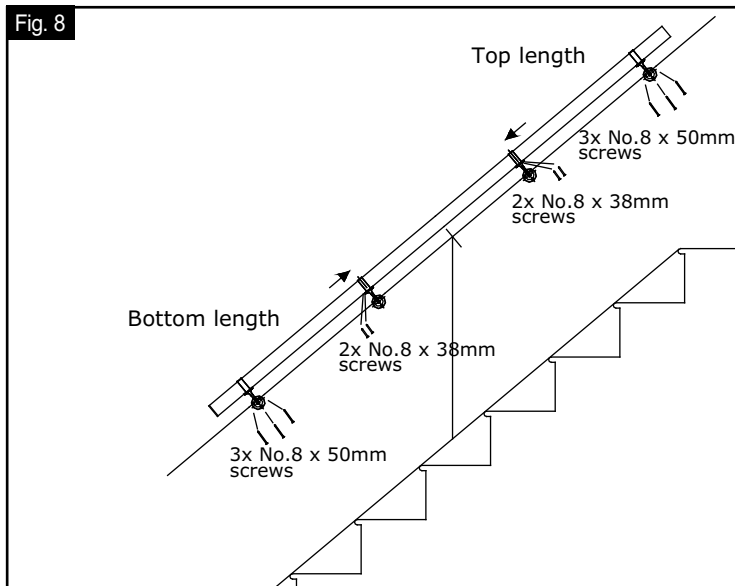


Fig. 9

