

# New PaintReady® stairparts. For a faster, smoother finish



**PAINTREADY®**  
READY PRIMED STAIRPARTS

Transforming your space

 Richard  
Burbidge



# Save time. Save trouble. Save money

New from Richard Burbidge, a range of ready primed timber stairparts. Contemporary designs and precision cut, they come coated with a water based primer that leaves the perfect surface for final finishing. So you save time, avoid tedious preparation and end up with a better finish.

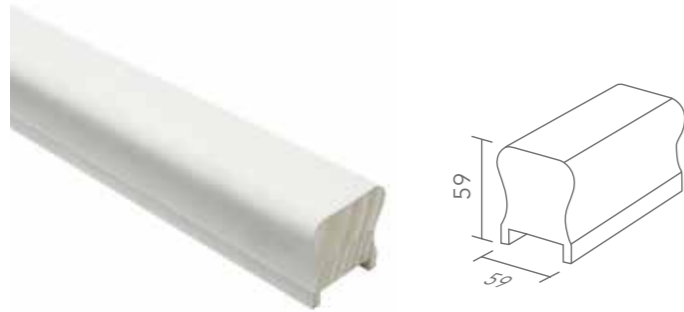
- No sanding, no filling, no priming, a better finish in less time
- Precision cut and smooth surface for a clean, crisp look
- Independently tested by FIRA and conforms with Building Regulations for balustrades at 900mm high and 0.36kN/m domestic loadings
- Eco-friendly and sustainably manufactured stairparts

[www.richardburbidge.com](http://www.richardburbidge.com)



# PaintReady® stairparts.

## PaintReady® Handrail 41mm



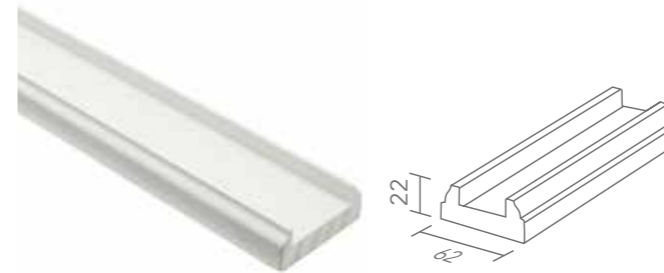
Code	Size (mm)	Pack qty
HDR2400/41R	2400 x 59 x 59	1
HDR3600/41R	3600 x 59 x 59	1
HDR4200/41R	4200 x 59 x 59	1

## PaintReady® Handrail 32mm



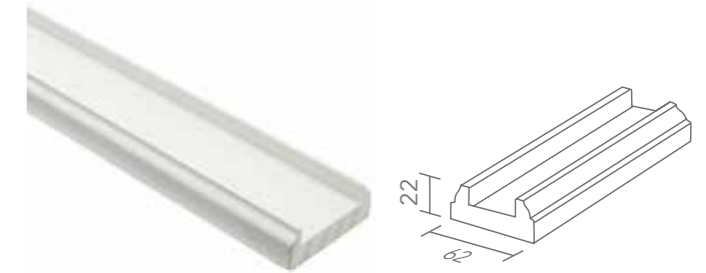
Code	Size (mm)	Pack qty
HDR2400/32R	2400 x 59 x 59	1
HDR4200/32R	3600 x 59 x 59	1
HDR4200/32R	4200 x 59 x 59	1

## PaintReady® Baserail 41mm



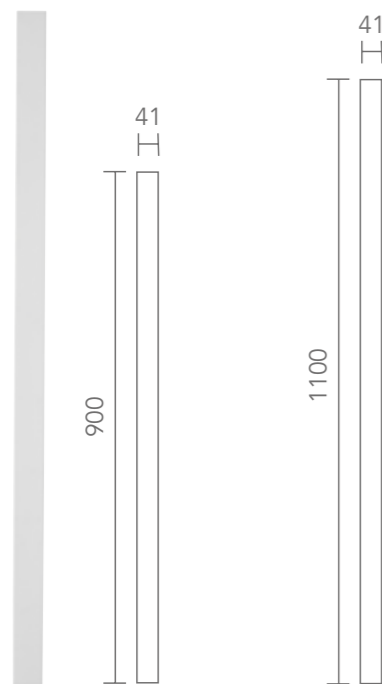
Code	Size (mm)	Pack qty
BR2400/41R	2400 x 62 x 22	1
BR3600/41R	3600 x 62 x 22	1
BR4200/41R	4200 x 62 x 22	1

## PaintReady® Baserail 32mm



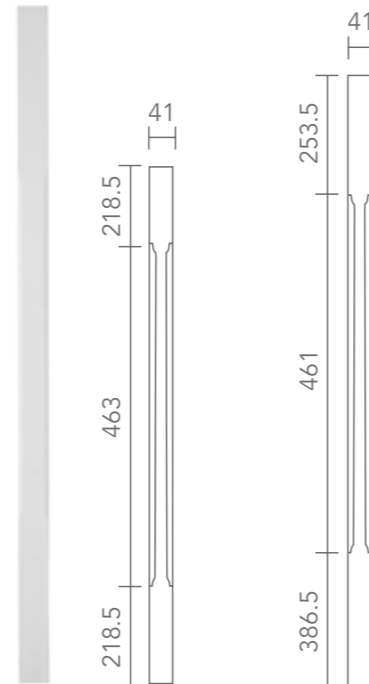
Code	Size (mm)	Pack qty
BR2400/32R	2400 x 62 x 22	1
BR3600/32R	3600 x 62 x 22	1
BR4200/32R	4200 x 62 x 22	1

## PaintReady® 41mm Plain Baluster



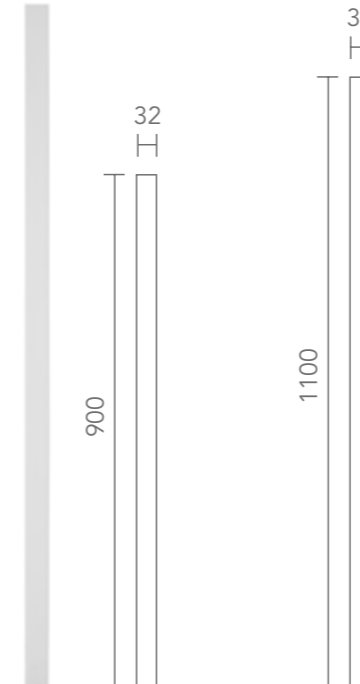
Code	Size (mm)	Pack qty
STK090/41R	900 x 41 x 41	1
STK110/41R	1100 x 41 x 41	1

## PaintReady® 41mm Stop Chamfer Baluster



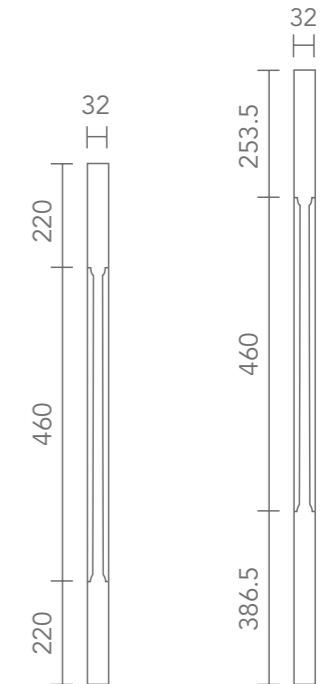
Code	Size (mm)	Pack qty
SC090/41R	900 x 41 x 41	1
SC110/41R	1100 x 41 x 41	1

## PaintReady® 32mm Plain Baluster



Code	Size (mm)	Pack qty
STKR	900 x 32 x 32	1
STK110/32R	1100 x 32 x 32	1

## PaintReady® 32mm Stop Chamfer Baluster



Code	Size (mm)	Pack qty
SC090R	900 x 32 x 32	1
SC110/32R	1100 x 32 x 32	1

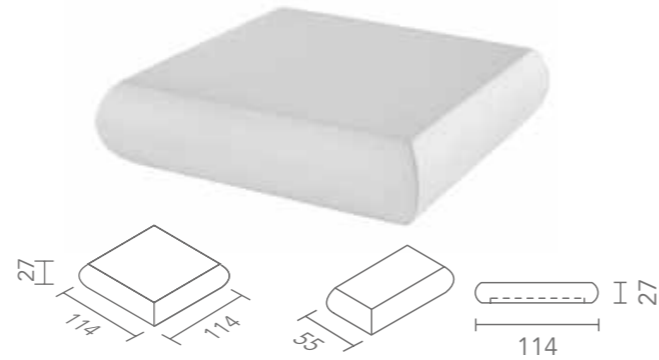
# PaintReady® stairparts.

## PaintReady® Round handrail



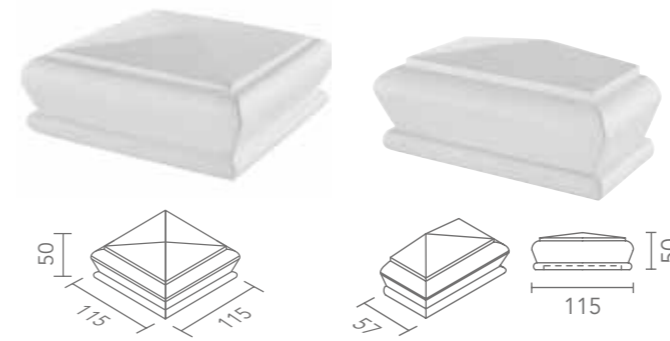
Code	Size (mm)	Pack qty
RHR3600R	3600 x 54	1

## PaintReady® Flat Cap



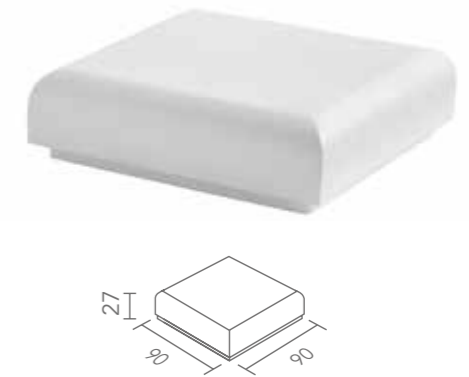
Code	Size (mm)	Pack qty
NC8R	27 x 114 x 114	1
NC8RHALF	27 x 114 x 55	1

## PaintReady® Pyramid Cap



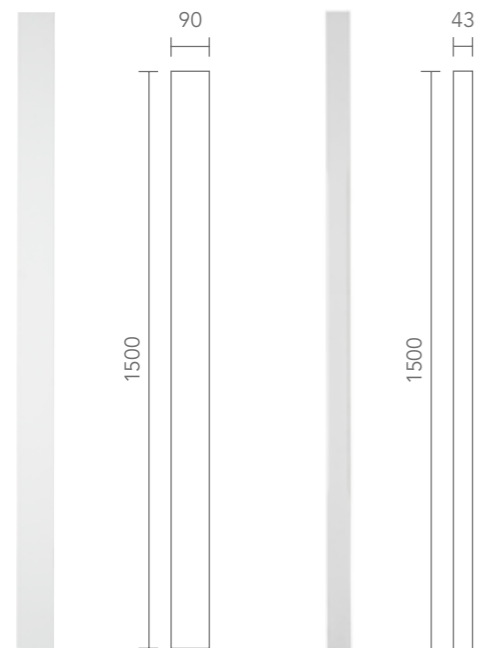
Code	Size (mm)	Pack qty
NC7R	50 x 115 x 115	1
NC7RHALF	50 x 115 x 56	1

## PaintReady® Shadow Cap



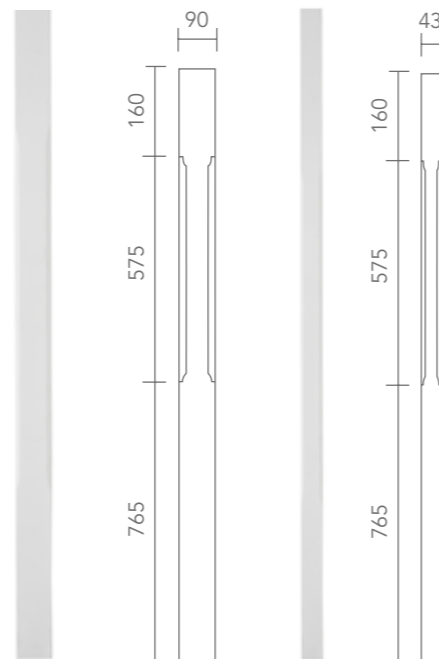
Code	Size (mm)	Pack qty
NCSP1/90R	27 x 90 x 90	1

## PaintReady® Plain Newel



Code	Size (mm)	Pack qty
SQN1500/90R	1500 x 90 x 90	1
SQN1500/90RHALF	1500 x 90 x 43	1

## PaintReady® Stop Chamfer Newel



Code	Size (mm)	Pack qty
SCN1500/90R	1500 x 90 x 90	1
SCN1500/90RHALF	1500 x 90 x 43	1



### Richard Burbidge universal rail to newel fixing kit

Our cleverly designed fixing kits create a solid and secure installation on new stairways and landings. They are constructed to give a strong, neat and invisible fixing for a truly professional look..

Landing kit. Code **RBLFK** Rake fixing kit. Code **RBRFK**



Customer Services 01691 678 300  
Technical Support 01691 678 212  
Joinery 01691 678232  
order@richardburbidge.co.uk  
www.richardburbidge.com

Scan this QR code  
to visit the  
Richard Burbidge  
website.

