

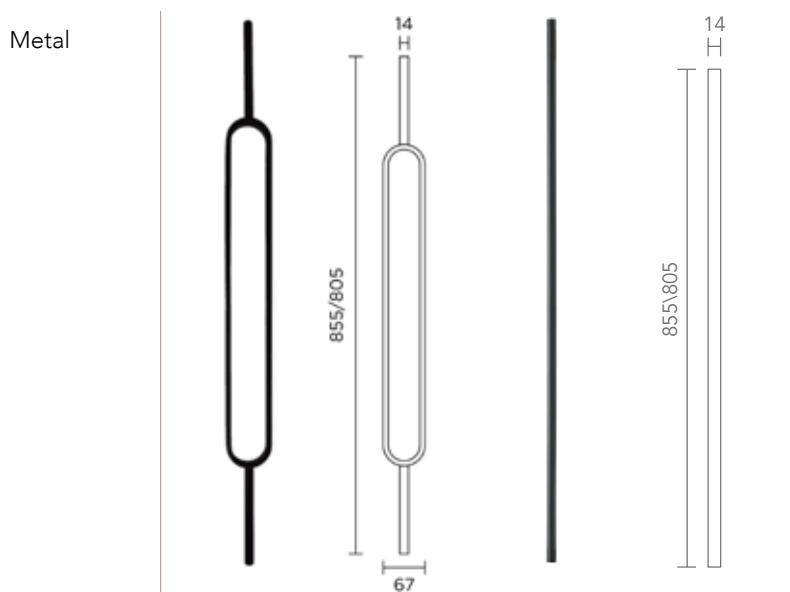
The Loop has the look

Elements® Stair System with New Loop balusters

The ever-popular Elements Stair system is now available with the new LOOP iron black metal baluster for an elegant, contemporary look.

- Loop black metal baluster available in packs of three
- Mix and match with plain balusters for a striking effect
- Newel and rails available in oak and pine, ideal for painting
- Suitable for pitches of 40 - 43 degrees
- Seamlessly integrates with pre-drilled hand and base rails
- Manufactured from powder-coated steel - offer rust-free protection and eliminates the need for any finishing or painting
- Made using FSC® certified and sustainably sourced timber

New Loop Baluster with complementary Plain Baluster



Product code	MB07R	MB07L	MB04R	MB04L
Description	Loop rake baluster	Loop landing baluster	Plain rake baluster	Plain landing baluster
Length (mm)	855	805	855	805
Pack qty	3	3	3	3



Cover: Elements® Oak with metal Loop and plain balusters.
Above top: Elements® Oak with metal Loop and plain balusters.
Above bottom: Elements® mocha mousse painted pine with metal Loop balusters.

Example: To give an idea of number of balusters you will need based on a standard 3500mm flight - 29 balusters (20 packs of 3) and a 1500mm return landing would be 17 balusters (6 packs of 3)

For more information scan the QR code or visit www.richardburbidge.com

